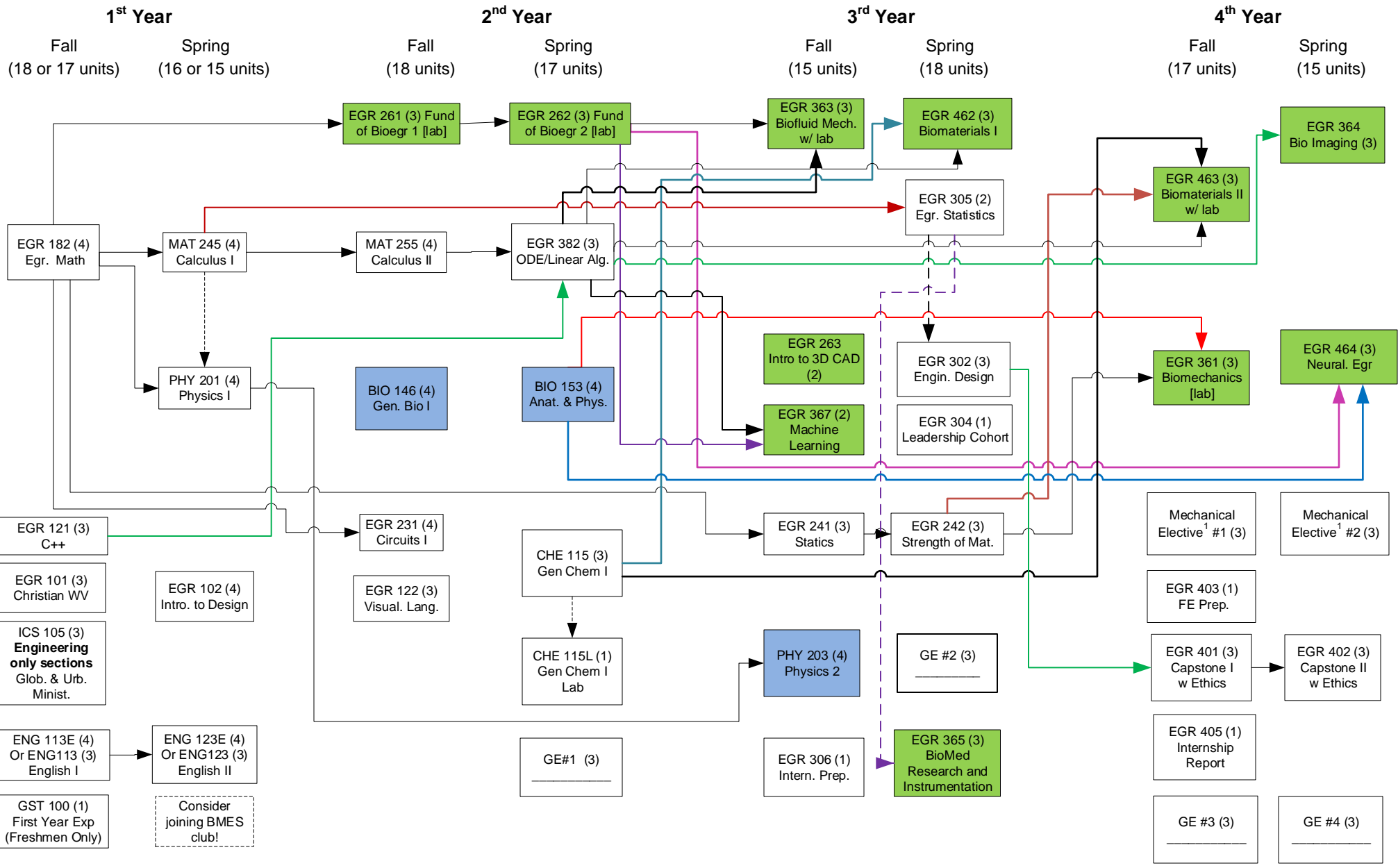


CBU B.S. in Biomedical Engineering – Mechanical Systems Concentration Curriculum Flowchart (2022-23, EGR182)



4 GE's (3 units ea) :
 2 Christian Studies (CST or ICS)
 2 Civic World
 [see University Catalog]
 Complete an approved cross-cultural experience
 Complete 200 hours of pre-approved supervised internship

NOTES:
¹List of Approved Mechanical Electives:
 PHY 310 (4) EGR 445 (3)
 EGR 341 (3) EGR 446 (3)
 EGR 344 (3) EGR 447 (3)
 EGR 346 (3) EGR 448 (3)
 EGR 442 (3)

Note that this flowchart is designed to be a helpful guide. For official degree requirements please see your catalog.